



TRUST YOUR POWER

C.G.M. Gruppi Elettrogeni srl
a socio unico
Via Decima Strada 3, 36071
Arzignano (VI) ITALY
T. +39 0444 673712
P. IVA 02844740247

info@cgmitalia.it - www.cgmitalia.it

Also available in
Rental & Zero Noise version



INDUSTRIAL SERIES

30F

- 3~ 50Hz. 400V
- FPT INDUSTRIAL
- EU STAGE 0
- 69 dB(A) @ 7 mt
- 100 lt

PRIME POWER		STAND-BY POWER	
kVA	kW	kVA	kW
30	24	33	26,4

ENVIRONMENTAL CONDITIONS	
Temperature	40°C
Altitude	1000 mslm
Humidity	60%

OPEN VERSION B50

SOUNDPROOF VERSION C30



The image is only for demonstration purposes

WEIGHT		DIMENSIONS	
kg	L [mm]	W [mm]	H [mm]
690	1650	850	1600

WEIGHT		DIMENSIONS	
kg	L [mm]	W [mm]	H [mm]
865	1800	885	1335

Reference standards list: 2006/42/EC Machinery directive
2014/35/UE Low voltage directive
ISO8528-1/10 Performances ratings
ISO12100 Machinery safety

2014/30/UE CEM directive



CGM Gruppi Elettrogeni S.r.l. reserves the right to make changes without any obligation of notice.

Rev. 00 - 20/05/2025

TECHNICAL DETAILS

ELECTRICAL DATA	Electrical system type	3F+N	~
	Power factor	0,8	φ
	Voltage	400	V
	Frequency	50	Hz
	PRP Ampere rating	43,3	A
ENGINE	Engine	FPT S8000 AM1	
	Engine emissions standard	(REG. UE 2016/1628) EU STAGE 0	
	RPM governor	Electronic	
	Step load performance (ISO8528-5)	G2 @ 100% G3 @ 63%	
	RPM	1500	rpm
	Nr. Of cylinders	3	
	Bore x stroke	104 x 115	mm
	Displacement	2900	cc
	Aspiration	Natural	
	Cooling system	Water	
Engine net prime power	37,7 (28,1)	hp (kW)	
CONSUMPTION	Fuel type	Diesel	
	Consumption @ 50% load	3,8	lt/h
	Consumption @ 75% load	5,4	lt/h
	Consumption @ 100% load	7,2	lt/h
	Standard tank capacity	100	lt
	Autonomy @ 75% load	18,5	h
ALTERNATOR	Alternator	STAMFORD - MECC ALTE - LEROY SOMER	
	Type	Self excited, brushless	
	Number of poles	4	
	Insulation class	H	
	Temperature rise class	H	
	Voltage regulation	AVR	
	Voltage precision	± 1	%
GENERAL	Sound level (soundproof version)	69	dB(A) @ 7mt
	Exhaust pipe diameter	60	mm
	Electrical system voltage	12	V

ELECTRIC PANEL

MANUAL

AUTOMATIC



Control unit with multimeter	ComAp IntelliNano AMF 5	ComAp IntelliLite 4 AMF 8
Protection rating of the electrical panel enclosure	IP 44	IP 44
ON-OFF switch control panel	ON/OFF switch bistable with key	ON/OFF switch bistable
Emergency pushbutton	Ø40 mm with twist-release mechanism Compliant with standards: EN/IEC 60947-5-5 EN/ISO13850 IEC 60204-1 2006/42/EC	Ø40 mm with twist-release mechanism Compliant with standards: EN/IEC 60947-5-5 EN/ISO13850 IEC 60204-1 2006/42/EC
Battery charge maintainer	- - - - -	12V - 5A
electrical distribution	CEE sockets IP67: n.1 3P 16A + n.1 5P 63A	Full power terminal
Circuit breaker	Thermal-magnetic circuit breaker 1P+N 16A and 4P 40A	Thermal-magnetic circuit breaker 4P 40A
Main protection alarms	Min-Max V, Hz, Amp. LOP. HWT. Alternator fault Battery charger Low fuel level	Min-Max V, Hz, Amp. LOP. HWT. Alternator fault Battery charger Low fuel level

STANDARD CONTROL UNIT

ComAp IntelliNano AMF 5



Functions: manual start, remote start, periodic test
 Multimeter V (L1, L2, L3, N), A (L1, L2, L3, N), Hz, kVA, battery V, hour counter
 Backlit LCD display. USB port
 Communication accessories available: Ethernet, GSM-GPRS, 4G, GPS

ComAp IntelliLite 4 AMF 8



Functions: automatic or manual start, remote start, periodic test
 Multimeter V (L1, L2, L3, N), A (L1, L2, L3, N), Hz, kVA, battery V, hour counter
 Backlit LCD display. USB port
 Communication accessories available: Ethernet, GSM-GPRS, 4G, GPS

OPTIONAL CONTROL UNIT



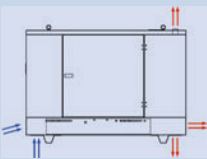
DEEP SEA DSE4520 MKII
 DEEP SEA DSE7320 MKII





COMAP AMF25

SOUNDPROOF AND WEATHERPROOF CANOPY



Self-supporting frame material	Steel plate, pickled, welded, minimum thickness 2.5 mm
Soundproof canopy material	Steel plate, pickled, welded, thickness between 1.5 and 4.5 mm
Painting	Polyester powder for outdoor RAL5015 textured Corrosion resistance class C3m
In-built fuel tank	100 lt with drip tray
Sound-absorbing coating material	Polyester fiber. Fire resistance EN13501-1 B s2 d0
Muffler	Inside the cover Residential type Noise reduction: 35 dB(A)
access openings	n.2 doors with key lock
Electric Panel	Position on the short side Dedicated lockable door and inspection window (only for Gensets with automatic panel)
Fresh air intake and hot air expulsion	
Lifting system	n.4 galvanised hooks
Support feet	n.2 feet of support n.4 holes for floor mounting

TRANSPORTABILITY IN CONTAINERS

VERSION		20' BOX	40' BOX	40' HC
	N. Transportable parts	6	13	13
	N. Transportable parts	6	13	26

STANDARD FEATURES

	≤50 kVA	80 kVA	120 kVA	200 kVA	275 kVA	≥550 kVA		
Mechanical fuel gauge	STANDARD	OPTIONAL	OPTIONAL	OPTIONAL	OPTIONAL	OPTIONAL		
Electric fuel gauge	OPTIONAL	STANDARD	STANDARD	STANDARD	STANDARD	STANDARD		
Coolant temperature and oil pressure allarm	STANDARD	STANDARD	STANDARD	STANDARD	STANDARD	STANDARD		
Coolant temperature and oil pressure measuring sensor	OPTIONAL	OPTIONAL	STANDARD	STANDARD	STANDARD	STANDARD		
Oil sump pump	OPTIONAL	OPTIONAL	OPTIONAL	OPTIONAL	STANDARD	STANDARD		
110% containment basin	STANDARD	STANDARD	STANDARD	STANDARD	STANDARD	STANDARD		
Noise level compliant to 2000/14/CE	STANDARD	STANDARD	STANDARD	STANDARD	STANDARD	STANDARD		
Galvanized steel mode canopy	OPTIONAL	OPTIONAL	OPTIONAL	OPTIONAL	OPTIONAL	OPTIONAL		
	C20	C30	C50	C100	C200	C300	C450	≥C500

OPTIONS

| OTHER OPTIONS |

45A ATS panel (mains-genset)

Bigger fuel tank with drip tray

Engine preheat heater for starting in harsh climate conditions [750W]

Automatic fuel transfer kit with manual bypass system

Power distribution panel with 4/6 EEC sockets

Quick couplings for connecting an external tank with three way valve

Remote monitoring and control systems (Ethernet, 4G, GPS)

| OTHER OPTIONS |

Battery switch

Parallel framework between groups or between groups and network

Cab with front/side air intake and/or exhaust

Outdoor, underground and trasportable tanks

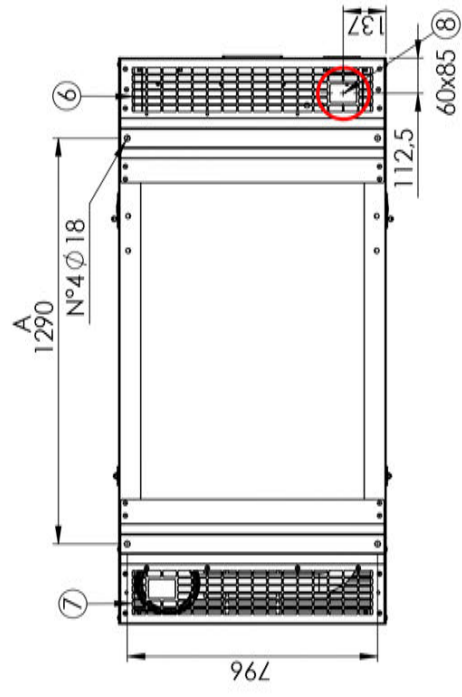
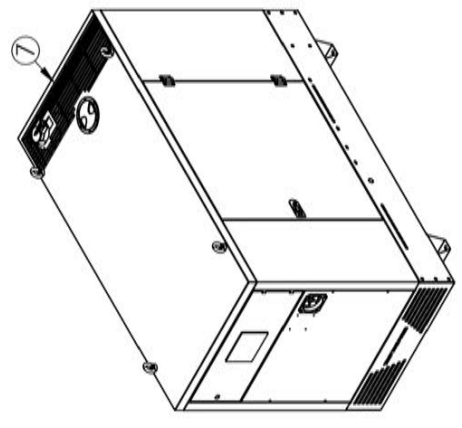
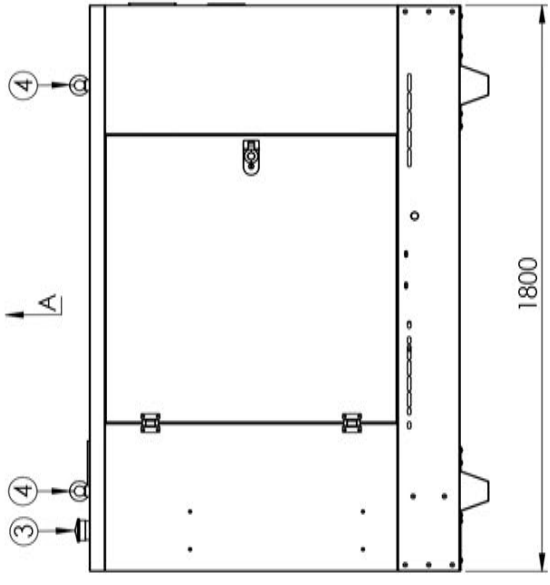
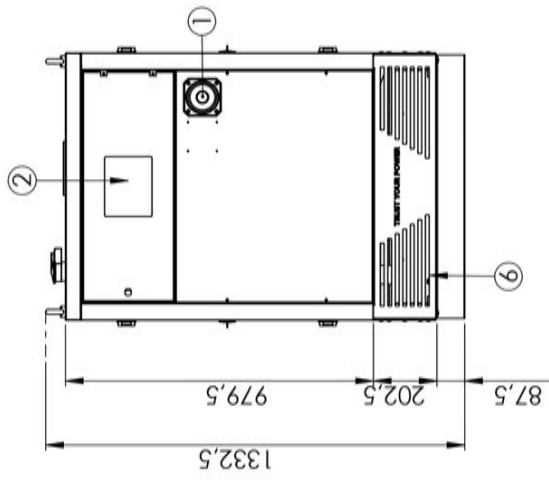
Slow or fast towing trailer

Further colors

Electronic engine speed governor

• THIS DRAWING IS THE PROPERTY OF C.G.M. GRUPPI ELETTROGENI srl, NO PART OF THIS DOCUMENT MAY BE COPIED OR REPRODUCED IN ANY WAY WITHOUT WRITTEN AUTHORIZATION.
 • ONLY QUOTED MEASURES ARE VALID.
 • MEASURES ARE INDICATIVE.

• CI RISMARCIAMO LA PROPRIETA' DI QUESTO DISEGNO CON DIVIETO DI RIPRODURLO E DI RENDERSLO NOTO, ANCHE IN PARTE, SENZA NOSTRA AUTORIZZAZIONE SCRITTA.
 • SONO VALIDE SOLO LE MISURE QUOTATE
 • LE MISURE SONO INDICATIVE.



N°	ENG	ITA	FRA
1	EMERGENCY BUTTON	PULSANTE EMERGENZA	BOUTON D'URGENCE
2	ELECTRICAL PANEL	QUADRO ELETTRICO	PANNEAU ELECTRIQUE
3	EXHAUST PIPE	TUBO DI SCARICO	TUYAU D'ECHAPPEMENT
4	LIFTING HOOKS	GANCI DI SOLLEVAMENTO	CROCHETS DE LEVAGE
5	FUEL FILLING POSITION	POSIZIONE RABBOCCO CARBURANTE	POSITION DE REMPLISSAGE DE CARBURANT
6	AIR INLET	ENTRATA ARIA	ENTREE D'AIR
7	AIR OUTLET	USCITA ARIA	SORTIE D'AIR
8	CABLES OUTLET	USCITA CAVI	SORTIE CABLE

C.G.M. Gruppi Elettrogeni srl Via Decima Strada 3, 36071 Asolo (TV) ITALY T. +39 0444 63712 info@gpm.it www.gpm.it		DREG./DRAWN BY MLScarsella		N. DS/DRAWING CODE	
GENERATING SET		25/11/2024		Description Rev.	
TITOLO/TITLE:		REVISIONE		N. FOGGIO/N° SHEET	
		00		Rev. description	

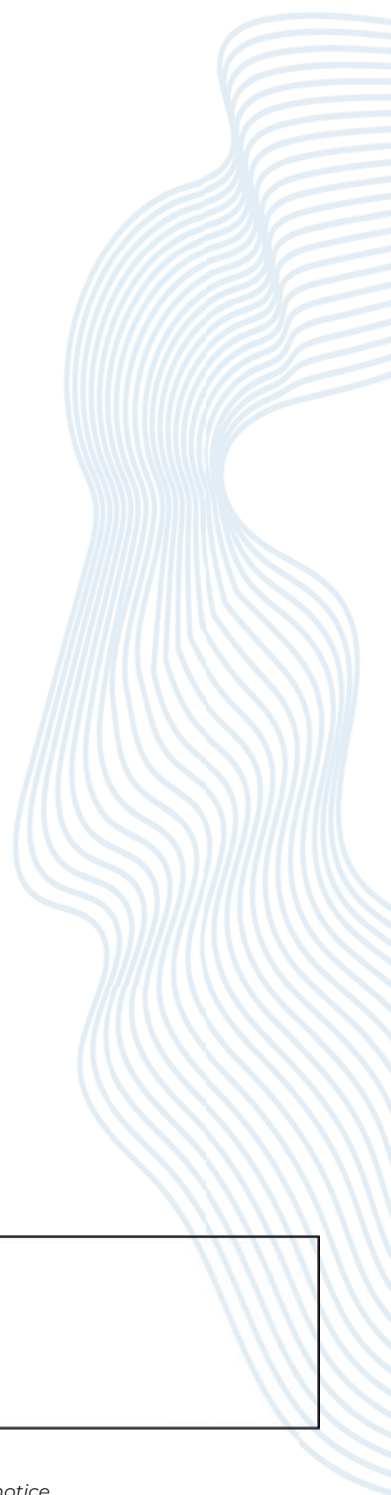




C.G.M. Gruppi Elettrogeni srl
a socio unico

Via Decima Strada 3, 36071
Arzignano (VI) ITALY
T. +39 0444 673712
P. IVA 02844740247

info@cgmitalia.it - www.cgmitalia.it



C.G.M. Gruppi Elettrogeni srl
a socio unico

Via Decima Strada 3, 36071
Arzignano (VI) ITALY
T. +39 0444 673712 / 674152 Fax. +39 0444-675384
C.F.&P. IVA 02844740247 REA 279734

info@cgmitalia.it - www.cgmitalia.it    

Distributed by: